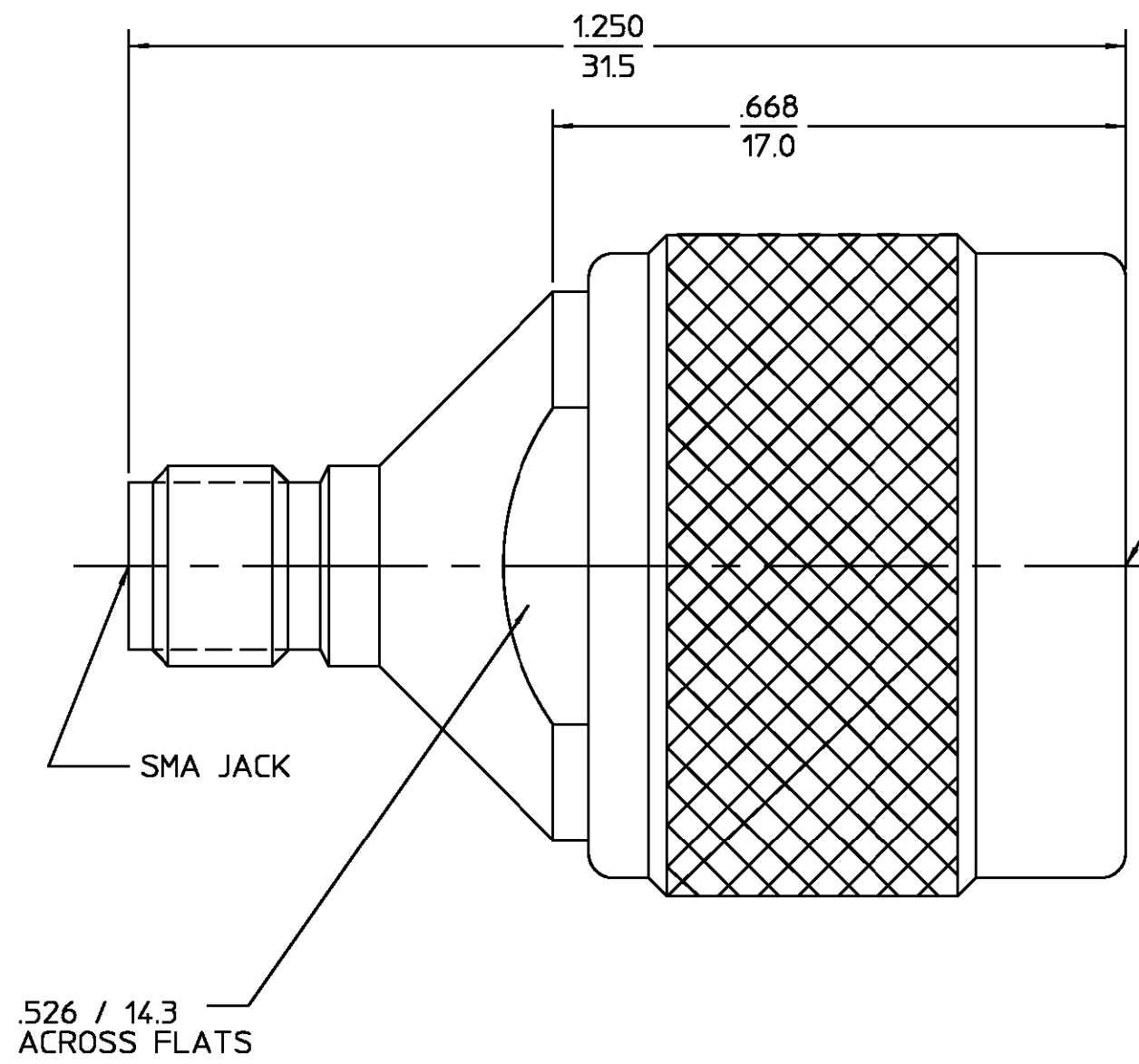


REVISIONS			
REV	DESCRIPTION	DATE	APPROVED
01 ₀	RELEASED	03/21/95	<i>AD</i>



**COPY IN PUERTO RICO
DESIGN CONTROL REQUIRED**

HOUSING COUPLING NUT	STAINLESS STEEL PER ASTM-A484 AND ASTM- A582, TYPE 303	PASSIVATE PER QQ-P-35
DIELECTRIC	TFE FLUOROCARBON PER ASTM-D-1457	N/A
CENTER CONTACT	BERYLLIUM COPPER PER ASTM-B-196 OR ASTM-B-197 ALLOY C17300, CONDITION H	GOLD PLATE PER MIL-G-45204
RETAINING RING	BERYLLIUM COPPER PER ASTM-B-194, ALLOY C17200, CONDITION H	N/A
GASKET	SILICONE RUBBER PER ZZ-R-765	N/A

COMPONENT	MATERIAL	FINISH
-----------	----------	--------

UNLESS OTHERWISE SPECIFIED DIMENSIONS ARE IN INCHES	DRAWN BY <i>J. D. Davis</i>	DATE 03/21/95	AMP Incorporated 140 Fourth Avenue Waltham, MA 02451-7599
	CHECKED BY		
	APPD BY		

- NOTES:
- CAPTURED CENTER CONTACT
 - VSWR: DC-12.4GHz :1.06+.005fGHz MAX
12.4-18.0GHz : 0.83+.023fGHz MAX

.XXX = in
XX.X = mm

These drawings and specifications are the property of M/A COM Interconnect Div. and shall not be reproduced or copied or used in whole or in part as the basis for the manufacture or sale of item(s) without written permission.	USE ASSY PROCEDURE	TITLE TYPE N PLUG TO SMA JACK ADAPTER	
	NO. A.P. _____	SIZE B	CODE IDENT NO. 26805
		SCALE 5=1	1250-1250-00

CUSTOMER DRAWING

AMP PART # 1046247-1
SHEET 1 OF 1 REV A